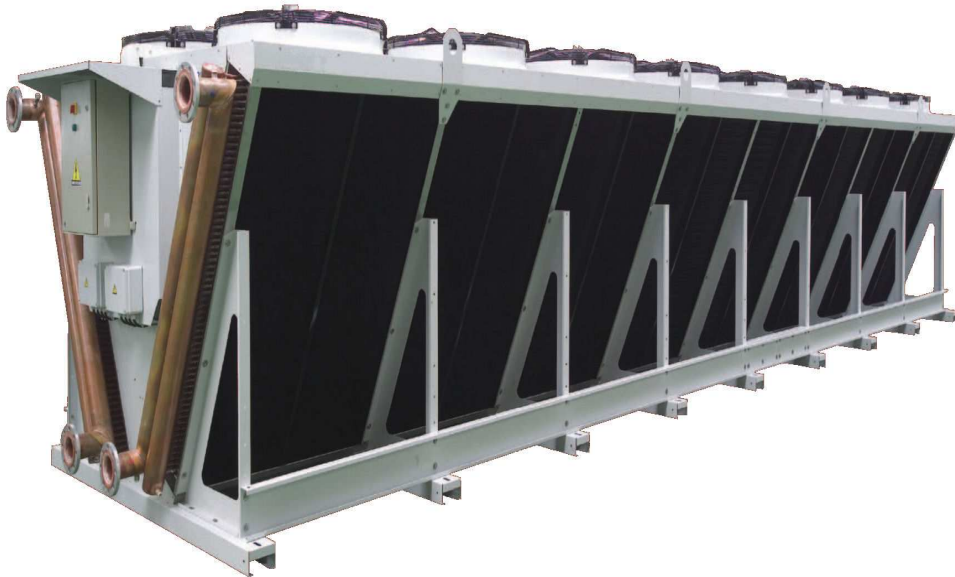


ORTHOGONAL THERMOCONVECTORS



TS-V



PROFILE

The TS-V series ORTHOGONAL THERMOCONVECTORS are conceived and realized with an innovative system of double heat, able to completely satisfy the industrial cooling operators exigencies. The powers of the new TS-V series vary from 100 kW to 1.000 kW in nominal conditions. The extraordinary potentiality of these DRY-COOLERS spring from the optimal combination between the new high efficiency fins and copper piping and new conception fans, conceived to develop high air flow with reduced absorption and reduced noise.

The TS-V series is characterized by a modular design with oven painted galvanized steel fairing and can mount up to 16 fans of 900 mm diameter with 8 noise levels, in single or double bank.

PERSONALISATION

It's available, on demand, a great personalisation choice, including: cutting stage, step, with inverter speed regulators; standard switchboards or special on demand switchboards; special materials for any type of application and environmental settings.



ADIABATIC COOLING

It is also available the innovative AWS device (Adiabatic Water System), an automatical system of adiabatic cooling which permits to the exchanger to grant the performance indicated on the list of the machinery, also when the environmental temperature is higher then the project temperature.



ORTHOGONAL THERMOCONVECTORS

TECHNICAL DATA

Model (1)	Cooling (2)	Fluid flow	Air flow	Fans (3)			Internal volume	Surface	Sound level (4)	Hydraulic connection	Dimensions			Weight
				n°	W cad.	rpm					L mm	P mm	H mm	
TS-V 200	203,9	37,3	81.300	3	2.450	890	175,0	939,0	52	2"1/2	4.675	1.170	1.804	892
TS-V 300	301,8	55,2	125.200	4	3.600	893	235,0	1.248,0	62	3"	6.075	1.170	1.804	1.157
TS-V 400	416,6	76,3	235.200	8	3.600	893	323,0	1.717,0	65	4"	5.490	2.400	2.262	2.151
TS-V 500	497,4	91,0	294.000	10	3.600	893	390,0	2.147,0	65	4"	6.740	2.400	2.262	2.638
TS-V 600	598,7	109,6	276.000	10	3600	893	501,0	2.862,0	65	4"	6.740	2.400	2.262	2.862
TS-V 700	715,5	131,0	331.800	14	2.450	890	678,0	4007,0	57	4"	9.240	2.400	2.262	3.865
TS-V 800	796,2	145,7	386.400	14	3.600	893	678,0	4007,0	66	4"	9.240	2.400	2.262	3.865
TS-V 900	929,5	171,1	441.600	16	3.600	893	766,0	4.579,0	67	4"	10.490	2.400	2.262	4.373

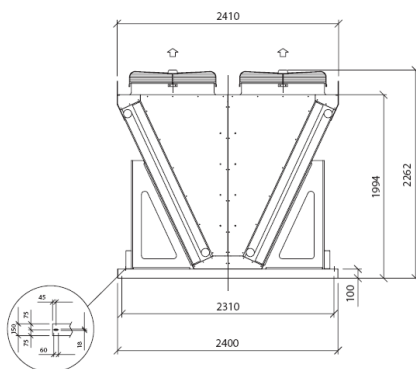
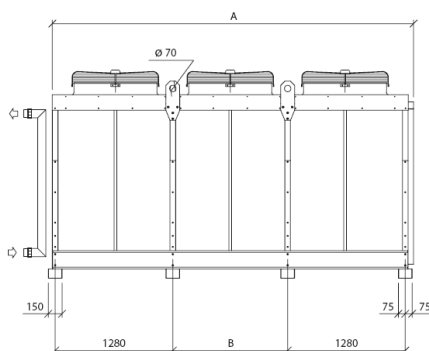
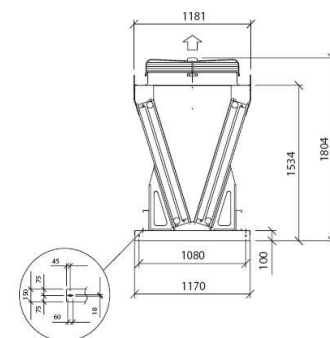
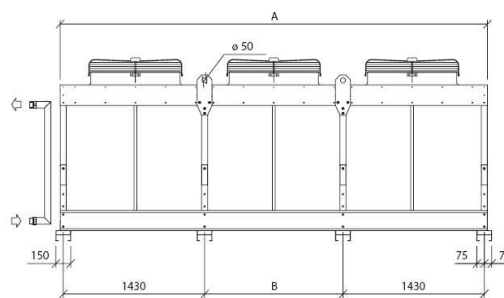
(1) - Standard electric alimentation 400V-3Ph-50Hz - Special on request

(2) - With 5°C between ambient temperature and outlet water temperature

(3) - With variable speed control

(4) - Sound pressure level at 10 metres

CAUTION - Should temperature drop below 0 °C it will be necessary to introduce antifreeze mixture. - Guarantee won't be applied in the event of damages deriving from the freezing of the fluid into the system..



NOVA FRIGO Engineering S.r.l.

Via Montebello, 5/D
25017 - LONATO (BS) - ITALIA

Tel: (+39) 030 99 13 250

Fax: (+39) 030 99 19 043

e-mail: info@novafrigo.it

www.novafrigo.it