

AXIAL THERMOCONVECTORS



TS-A



PROFILE

The TS-A series AXIAL THERMOCONVECTORS are characterized by the employ of different by the use of different fin geometries, different forms, materials and innovative design. This is an innovative product that can fully satisfy the needs of operators in the industrial cooling. The combination of three factors such as geometry wings (different tube diameters and special fins), proper fans and different modules allows in an optimal way to combine the following aspects:

- maximum capacity in relation to the size of the heat exchanger;
- loss of load of the primary fluid optimized through the use of different pipe diameters;
- opportunity for optimal choice of the equipment through the use of modules of different length;
- compliance with the strictest environmental standards in terms of noise pollution.

FANS

This will involve the use of fans in numbers varying from 1 to 6, in single and double cylinder bank, to develop power from 50 kW to 200 kW at nominal standard conditions. The fairing is made of galvanized steel, powder painted with polyurethane resin to ensure maximum strength and solidity of the unit. Fans are used for outdoor uses, 400V/3Ph/50Hz double speed to get up to 8 sound levels equal diameter.



ACCESSORIES

Is available on demand, a complete set of accessories including: cut phase speed reducer and inverter; fins of different materials (aluminium, copper, aluminium coil coating and double pass), copper tubes and stainless steel, special motors to different voltages and high temperature.



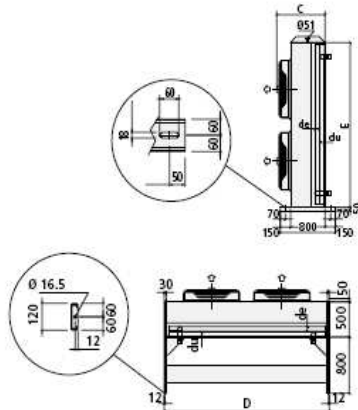
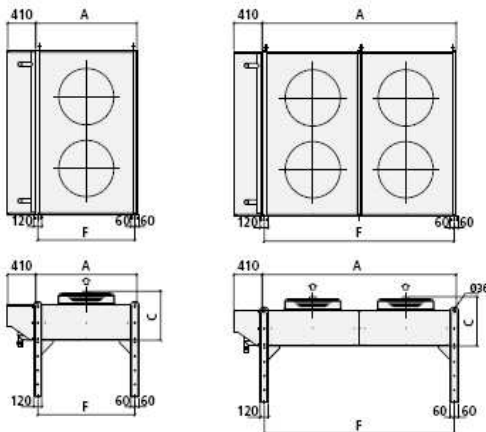
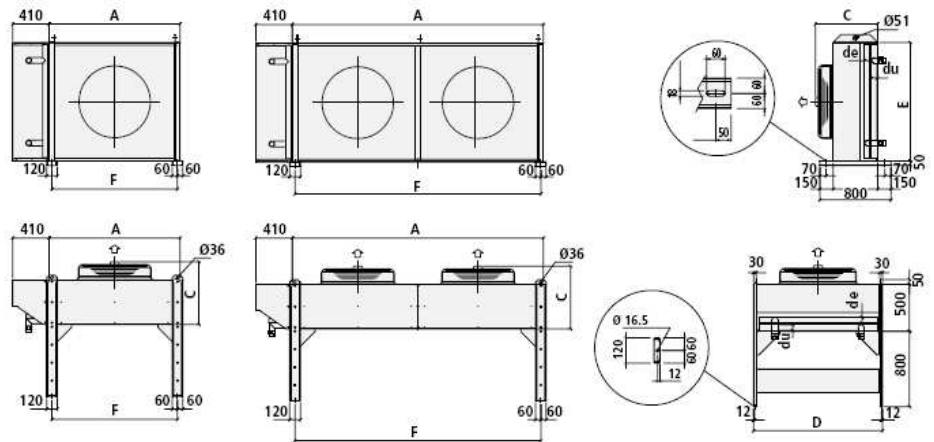
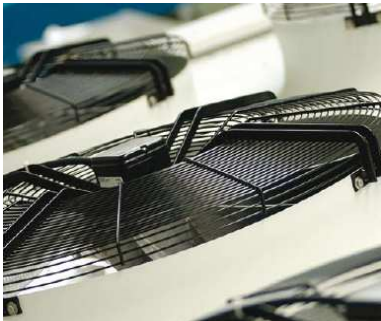
AXIAL THERMOCONVECTORS

TECHNICAL DATA

Model (1)	Cooling (2)	Fluid flow	Air flow	Fans (3)		Internal volume	Surface	Sound level (4)	Hydraulic connection	Dimensions			Weight	
				n°	$W_{cad.}$					rpm	L mm	P mm		H mm
TS-A 50	57,79	10,6	30.000	2	1.900	1.340	36,0	173,0	60	2"1/2	2.630	1.260	980	168
TS-A 100	114,9	21,0	60.000	4	1.900	1.340	69,0	345,0	63	3"	4.910	1.260	980	328
TS-A 150	157,9	28,9	122.400	4	3.600	893	80,0	353,0	62	3"	4.030	2.400	1.565	609
TS-A 200	207,3	37,9	111.000	6	2.000	895	140,0	613,0	56	4"	4.580	2.400	1.565	746

- (1) - Standard electric alimention 400V-3Ph-50Hz - Special on request
- (2) - With 5°C between ambient temperature and outlet water temperature
- (3) - With variable speed control
- (4) - Sound pressure level at 10 metres

CAUTION - Should temperature drop below 0 °C it will be necessary to introduce antifreeze mixture. - Guarantee won't be applied in the event of damages deriving from the freezing of the fluid into the system..



NOVA FRIGO Engineering S.r.l.
 Via Montebello, 5/D
 25017 - LONATO (BS) - ITALIA
 Tel: (+39) 030 99 13 250
 Fax: (+39) 030 99 19 043
 e-mail: info@novafrigo.it
 www.novafrigo.it