

EDB



HOT-AIR DRYERS



SCOPE:

Drying plastic materials for centralized and beside machine installations.

TECHNOLOGY:

Hot Air.

APPLICATIONS:

Injection mouldings, extruders and blow mouldings up to 1.500 m³/h capacity.

TYPE OF MATERIALS MANAGED:

Plastic granules (virgin and regrind) and flakes with high dustiness.





Se denaro in giro ce n'è sempre meno, ed è raro, per spenderlo ci vogliono motivi migliori.





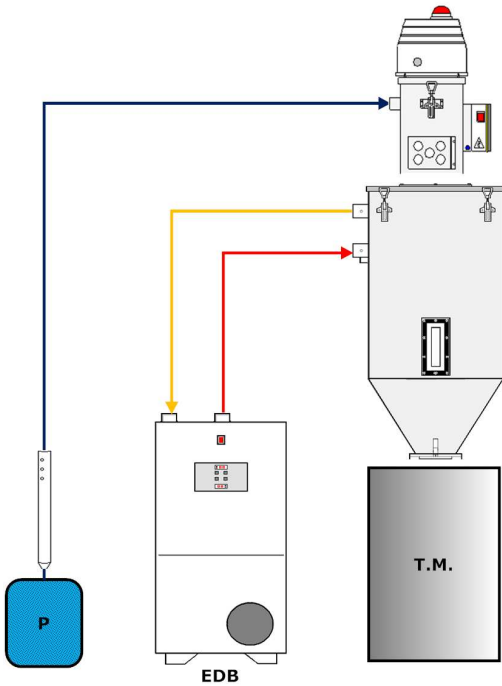
KEY-POINTS

EDB	6	7	8	9	10
<i>Side-channels high-prevalence blower</i> to guarantee the air-flow capacity inside the processing hopper.	S	S	S	S	S
<i>Temperature controls</i> through high-precision probes and programmable thermoregulators with PID integrated.	S	S	S	S	S
<i>Special materials</i> : stainless steel for all the parts in contact with air.	S	S	S	S	S
<i>Absolute filtering system</i> for the applications in which is required the perfect cleaning of processing air.	O	O	O	O	O
<i>High-temperature equipment</i> to handle materials up to a 200°C.	O	O	O	O	O
 <i>SWAN Technology</i> for maximum flexibility in the software management and for customized applications.	O	O	O	O	O
 "Energy is <i>more</i> than a cost": our ethical approach to energy for saving the costs and respecting the ambient.	O	O	O	O	O

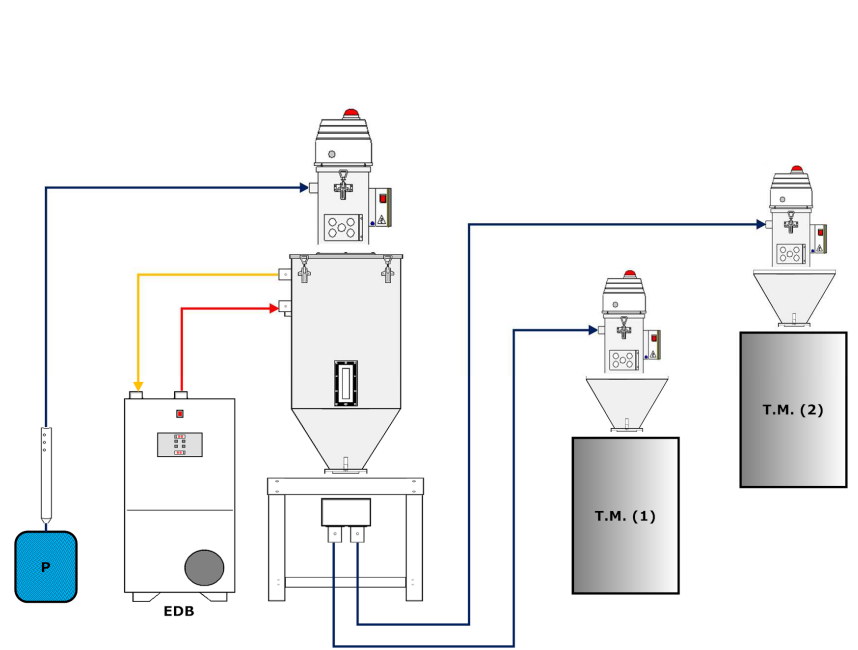
S = Standard O = Optional



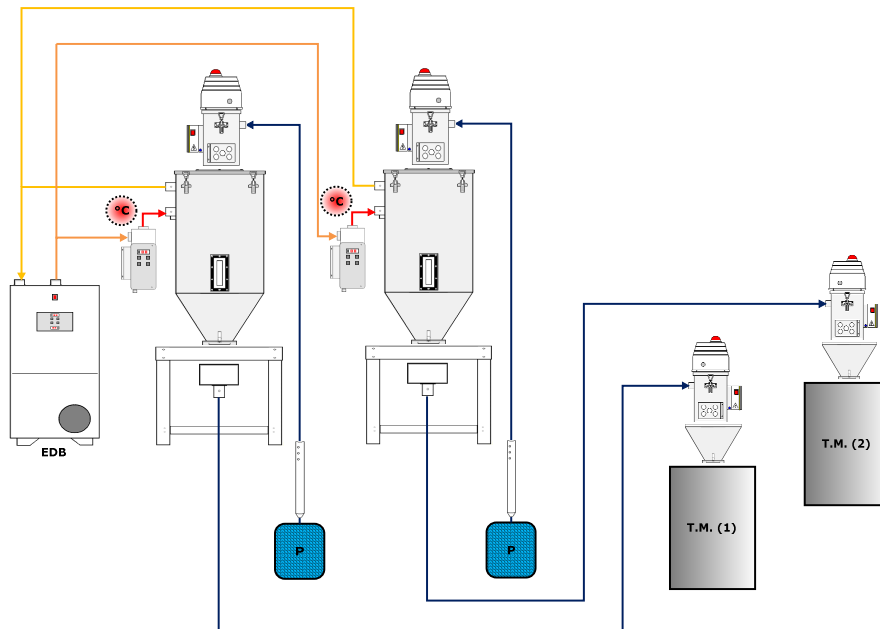
APPLICATIONS (EXAMPLES)



EDB – Application directly on the transforming machine.



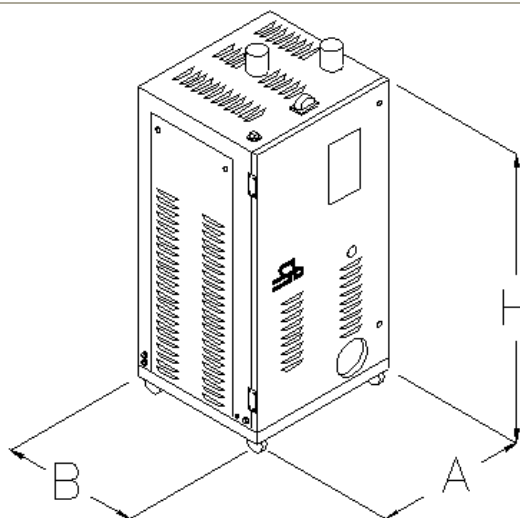
EDB – Application with 2 ways-feeding of material.



EDB – Multi-temperature application with a single dried air generator and independent heating-boosters on the processing hoppers.



TECHNICAL DATA



	Mod.	EDB5	EDB6	EDB7	EDB8	EDB9	EDB10
Power supply	V / Hz	380 / 50 (trifase)					
Motor power	kW	2,2	4	5,5	7,5	11	13,5
Air-flow capacity at 80°C	m ³ /h	300	400	550	750	1100	1500
Heating power	kW	9	15	18	27	39,5	39,5
Total installed power	C°	140	140	140	140	140	140
Max process temperature	kW/h	5,5	5,5	5,5	7,5	22,5	22,5
Energy consumption at 80° C	dm ³	600-800	800-1000	1000-1500	1500-2000	2000-2500	2500-3000
Hoppers capacity	A mm	820	820	820	1100	1100	1100
Dimensions	B mm	785	785	785	1100	1100	1100
	H mm	1835	1835	1835	2200	2200	2200
	dB	40	45	50	55	60	60
	kg	150	150	150	150	150	150

SB Plastics Machinery Srl

Via Del Lavoro, 11 – 35010 Vigodarzere (PD) – ITALY

Tel.: 049/8843047 - Fax: 049/8843604 - Web: www.sbplastics.it - www.sb-ird.com

ISO 9001-2000

A110

